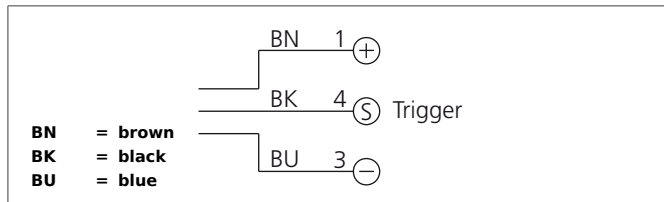


# BEK 1-D120-G1TI-IBS

## Darkfield Light

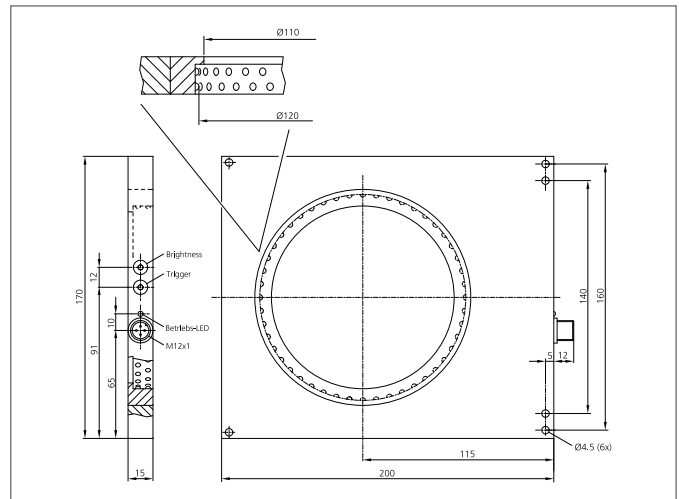
- To detect the finest change of surface
- Constant level of light intensity over the entire voltage range
- Homogenous illumination
- Protection class IP 67
- Low levels of heat produced
- External trigger input
- High efficiency
- Light intensity can be adjusted
- Sturdy housing design



### Safety instructions

The Instruments are not to be used for safety applications, in particular applications in which safety of persons depends on proper operation of the instruments.

These instruments shall exclusively be used by qualified personnel.



TECHNICAL INFORMATION (typ.)	
Size	<b>+20°C, 24V DC</b> 170 x 200 x 15 mm (Dimensions) Ø 120 mm (Diameter)
Design	Dark field lights
Illuminated area	Ø 120 mm
Characteristics	Internal control of power output, Trigger input
Light colour	Red, 630 nm
Emission angle	40°
Service voltage	10 ... 35 V DC (Supply Class 2)
Internal power consumption	250 mA, (24 V DC)
Trigger input low level	0 ... <2,8 V
Trigger input high level	> 3,3 ... 35 V
Power	6,0 W (24 V DC)
Shock-/vibration load	10 ... 55 Hz / 1,0 mm / 30 g
Inverse polarity protection	Yes
Display	LED: green - operation indicator
On-delay time (Trig.)	0,260 ms
Switch off delay (Trig.)	0,070 ms
Ambient temperature	0 ... +50 °C
Insulation voltage endurance	500 V
Protection class	IP 67
Protection degree	III, operation on protective low voltage
Risk group (DIN EN 62471)	Free group
Casing material	Aluminium black anodized

# BEK 1-D120-G1TI-IBS

## Darkfield Light



TECHNICAL INFORMATION (typ.)	+20°C, 24V DC
Connection	Connector, M12, 3-poled
Connecting cable	VK ...